



Teras Offshore

A subsidiary of Ezion Holdings Limited

TERAS 281

*Flat Top Ballastable Barge
280ft x 90ft x 20ft*



Specifications

Length: 280ft (85.37m)

Breadth: 90ft (27.44m)

Depth Moulded: 20ft (6.10m)

Deck Strength: 15T/M²

GRT/NRT 3,709 /1,112

Deadweight: 9,200MT

Call 65.6309.0555
Fax 65.6222.7848
Co.Reg.No. 200715754M

Mail 15 Hoe Chiang Road Tower Fifteen #12-05 Singapore 089316
Web www.terasoffshore.com



Teras Offshore

A subsidiary of Ezion Holdings Limited

General Specifications

GENERAL

Port of Registry/Flag	Singapore
Official Number	393071
Class	ABS
Notation	+ A1, Tanks Barge
Built	2005, Labroy Shipbuilding & Engineering Pte Ltd, Singapore

ADDITIONAL FEATURES:

- * Flush-Deck with Recess Bollards
- * Flushed manholes
- * Flush Access Ladder to Deck
- * Fendering

MINIMUM BREAKING STRENGTH FOR:

SMIT Towing Bracket 80 Tonnes

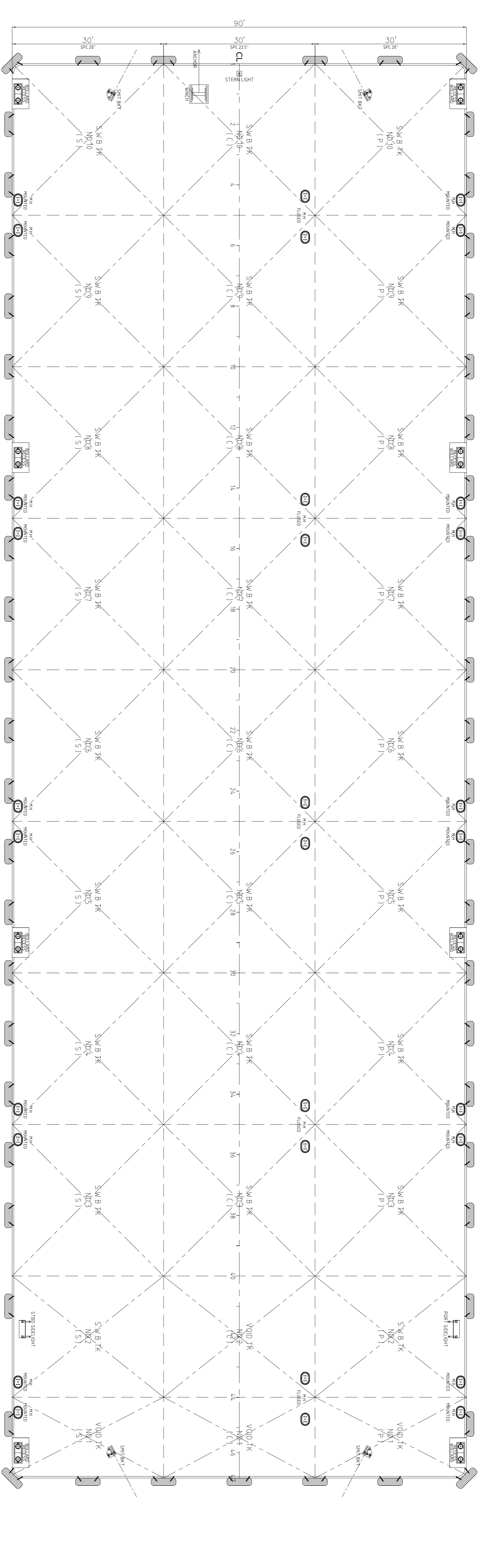
Towing Fairlead 80 Tonnes

*** This vessel specification is given in good faith & assumed to be correct. Details given are without guarantee.*

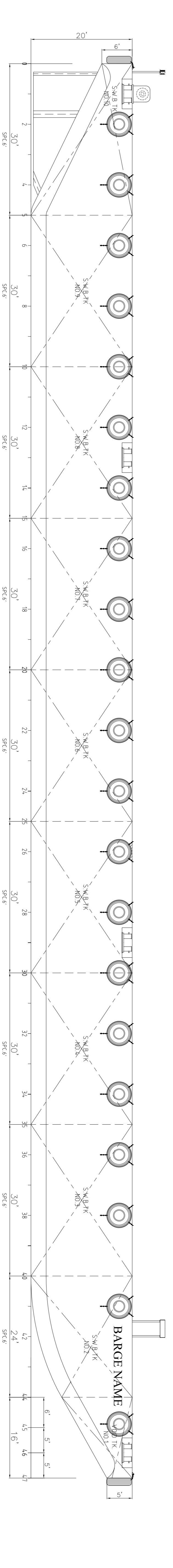
*** Owners reserved the right to amend the specifications without notification.*

Call 65.6309.0555
Fax 65.6222.7848
Co.Reg.No. 200715754M

Mail 15 Hoe Chiang Road Tower Fifteen #12-05 Singapore 089316
Web www.terasoffshore.com



DECK PLAN
1:125



PROFILE
1:125

PRINCIPAL	DIMENSION
LENGTH O.A	280'-0"
BEAM M.L.D	90'-0"
DEPTH M.L.D	20'-0"
DECK LOADING	15 TON/M ²

DATE	MODIFICATION DETAIL / DESCRIPTION OF CHANGE	REV	BY

This drawing, specification, or report is the property of the client. It is to be used only for the project and site specified. It is not to be reproduced, stored in a retrieval system, or transmitted in any form or by any means, electronic, mechanical, photocopying, recording, or by any information storage and retrieval system, without the prior written permission of the client.

LABROY SHIPBUILDING & ENGINEERING PTE LTD
 1 MARINE SQUARE #12-01 MARINE CENTRE LEVEL 8, SINGAPORE 099251
 TEL : 6545900 FAX : 3734414
 E-mail : info@labroy.com.sg

PT. MANINDAH MUTIARA SHIPYARD
 A Shipyard Division (Business 1) Serang Division - Pulau Batam
 Phone : (077) 39963, 39962 Pk. (077) 39981

Title : GENERAL ARRANGEMENT		HULL No. HULL 560	Sheet No. 0
Drawn by : ARS/ADI	Checked by : K.S.TEO	DWG No. LSCH560/G-1	Scale : 1:125
Date : 21.09.05	Date : 	Scale : 	Scale :